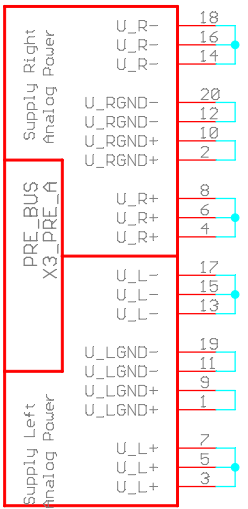
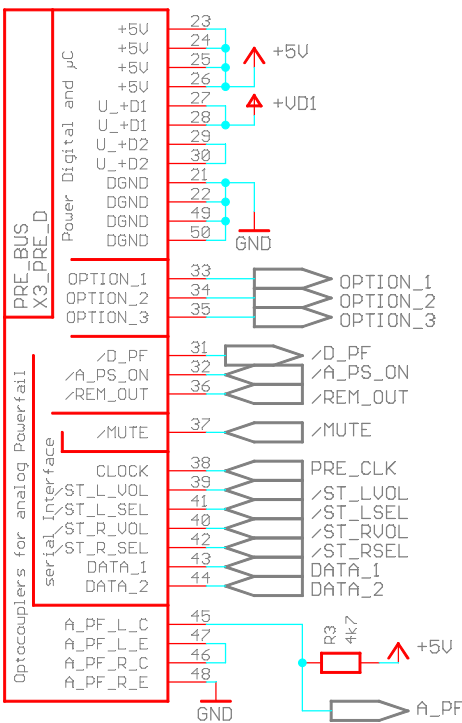
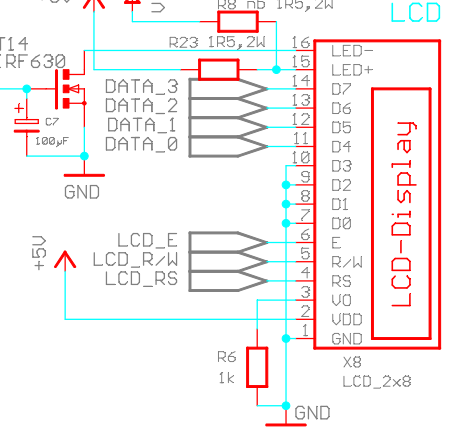
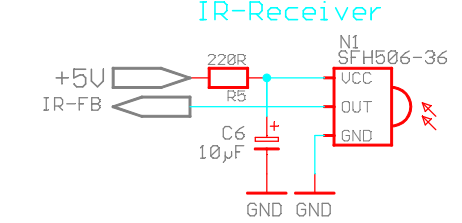
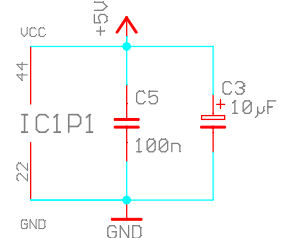
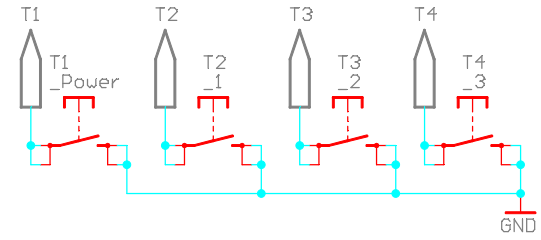
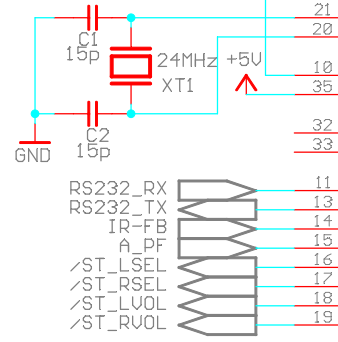
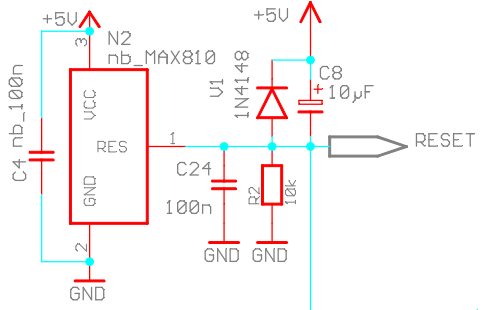
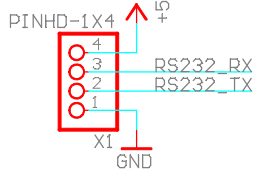


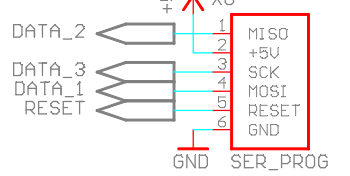
PRE-Bus



RS232



AT89S8252 prog



Drawing:	AT89_VU_prototype_02b
Sheet:	1/1
Last modified:	24.04.2002 21:12:48
Plot date:	24.04.2002 21:13:59